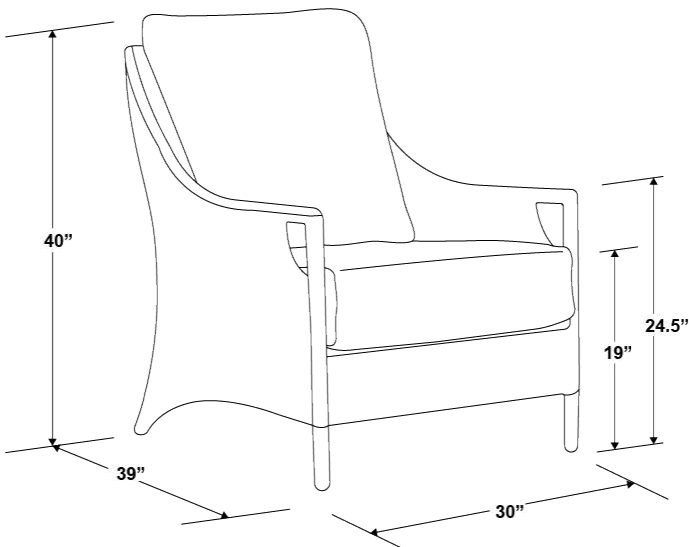


IBIZA CLUB CHAIR

SKU 2301-21



SPECS

- | | |
|-------------------|---|
| Width: 30" | • Fully welded powder-coated aluminum frame wrapped in virgin HDPE Resin Wicker |
| Depth: 39" | • Sunset West Progressive Springing System Technology |
| Height: 40" | • Non-marking plastic glides. |
| Arm Height: 24.5" | • Commercial Quality Construction. |
| Seat Height: 19" | • Weather resistant, high-resiliency foam cushions. |
| Weight: 29 lbs | • Stocked in Premium Sunbrella fabric in Cast Silver. |
| | • Custom Cushions available in approx. 4 weeks. |
| | • Standard 54" fabric COM yardage required: 3.5 |