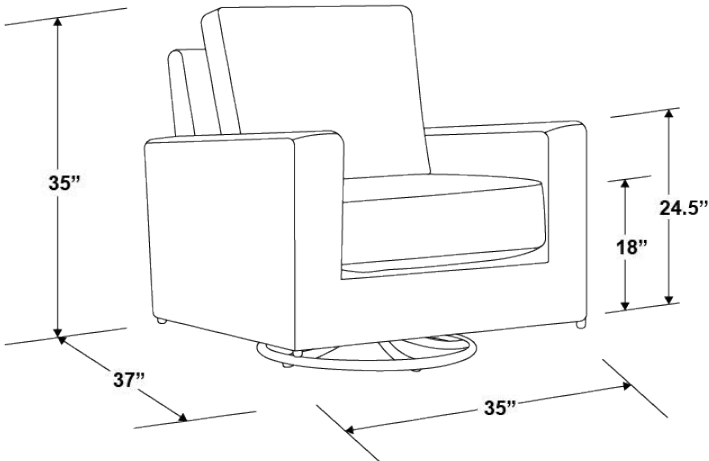


## HAVANA CLUB SWIVEL ROCKER

SKU 1701-21SR



### SPECS



Width: 35"

Depth: 37"

Height: 35"

Arm Height: 24.5"

Seat Height: 18"

Weight: 44 lbs

- Fully welded powder-coated aluminum frame wrapped in virgin HDPE Resin Wicker in Weathered Tobacco Leaf.
- Sunset West Progressive Springing System Technology.
- Non-marking plastic glides.
- Commercial Quality Construction.
- Weather resistant, high-resiliency foam cushions.
- Stocked in Premium Sunbrella fabric in Canvas Flax.
- Custom Cushions available in approx. 4 weeks.
- Standard 54" fabric COM yardage required: 3.5 yards.