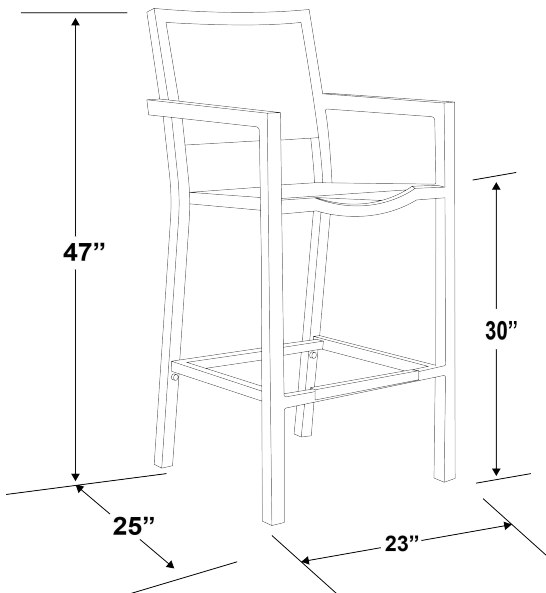


NAPLES BAR STOOL

SKU 1101-7B



SPECS

- | | |
|------------------|---|
| Width: 23" | • Fully welded, scratch-resistant powder-coated aluminum frame in satin Frost Finish. |
| Depth: 25" | • Weather resistant, tear-resistant textilene. |
| Height: 47" | • Non-marking plastic glides. |
| Seat Height: 30" | • Commercial Quality Construction. |
| Weight: 15 lbs | |