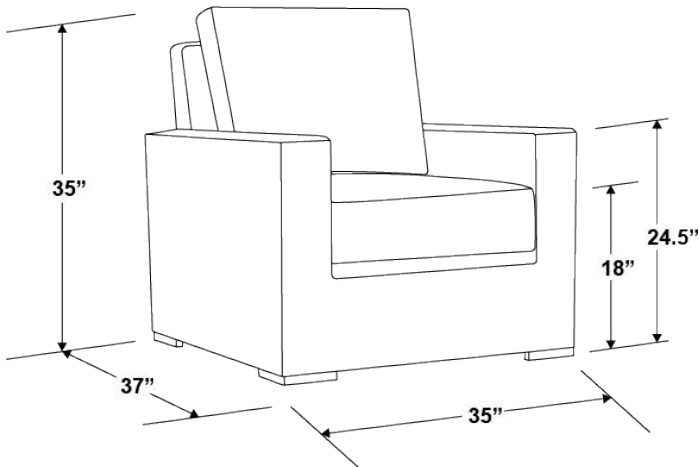


HAVANA CLUB CHAIR

SKU 1701-21



SPECS



- Width: 35"
Depth: 37"
Height: 35"
Arm Height: 24.5"
Seat Height: 18"
Weight: 40 lbs
- Fully welded powder-coated aluminum frame wrapped in virgin HDPE Resin Wicker in Weathered Tobacco Leaf.
 - Sunset West Progressive Springing System Technology.
 - Non-marking plastic glides.
 - Commercial Quality Construction.
 - Weather resistant, high-resiliency foam cushions.
 - Stocked in Premium Sunbrella fabric in Canvas Flax.
 - Custom Cushions available in approx. 4 weeks.
 - Standard 54" fabric COM yardage required: 3.5 yards.