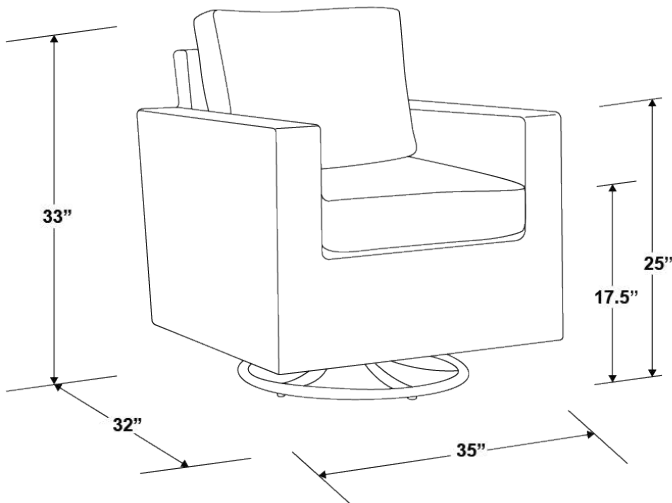


## SOLANA CLUB SWIVEL ROCKER

SKU 1501-21SR



### SPECS

- |                    |  |
|--------------------|--|
| Width: 35"         | • Fully welded powder-coated aluminum frame.                       |
| Depth: 32"         | • Wrapped in virgin HDPE Resin Wicker in Brushed Stone.            |
| Height: 33"        | • Non-marking plastic glides                                       |
| Arm Height: 25"    | • Commercial Quality Construction                                  |
| Seat Height: 17.5" | • Sunset West Progressive Springing System Technology for comfort. |
| Weight: 43 lbs     | • Weather resistant, high-resiliency foam cushions.                |
|                    | • Stocked in Premium Sunbrella fabric in Cast Silver.              |
|                    | • Custom Cushions available in approx. 4 weeks.                    |
|                    | • Standard 54" fabric COM yardage required: 3 yards.               |